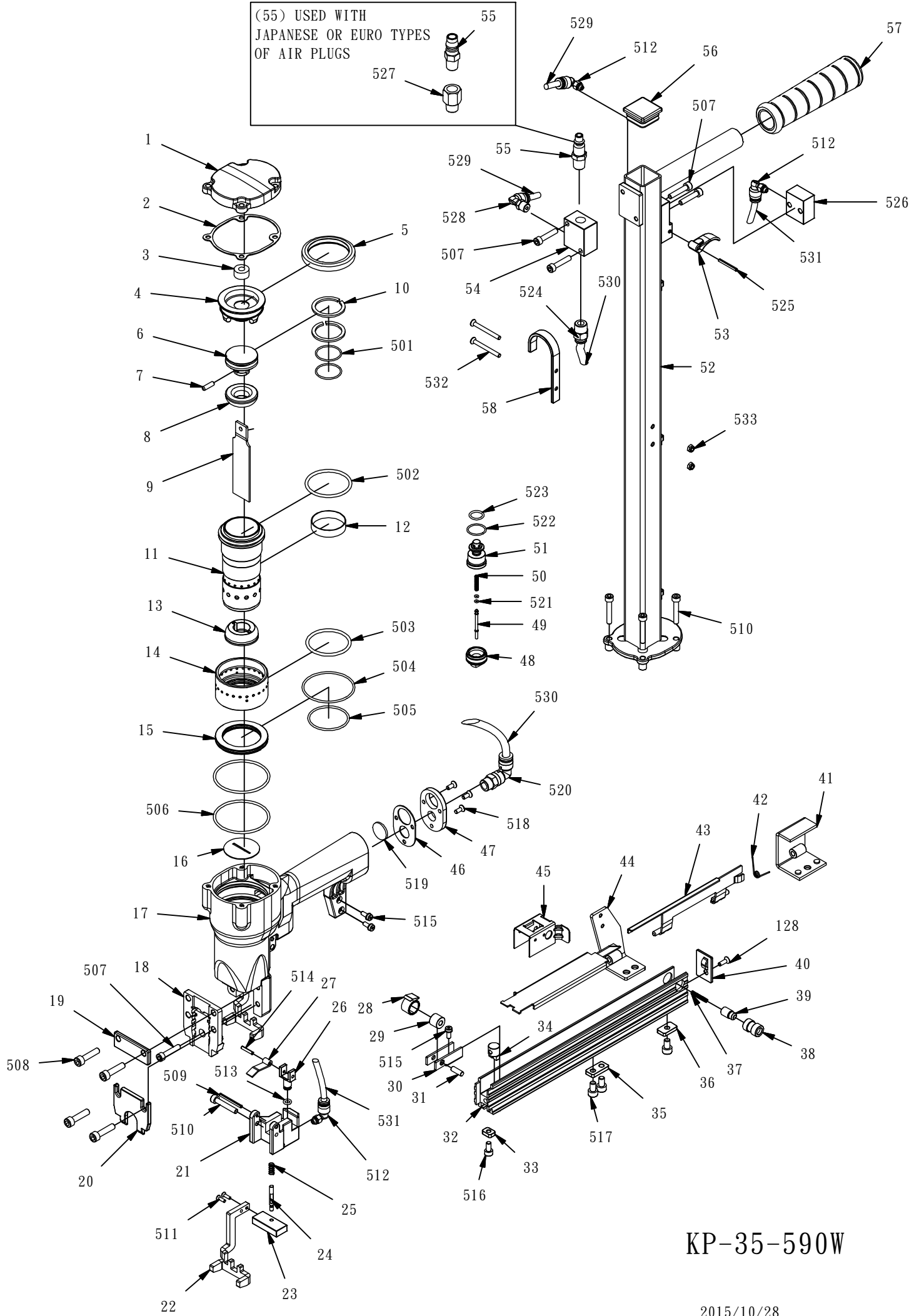


(55) USED WITH  
 JAPANESE OR EURO TYPES  
 OF AIR PLUGS



KP-35-590W

2015/10/28

ITEM	PARTS NO.	DESCRIPTION	Q'TY	SPEC.
001	A15800101	CAP	1	
002	A15800201	PACKING	1	
003	A15800301	SPACER	1	
004	A15800401	CYLINDER CAP	1	
005	A15800501	SEAL	1	
006	A15800701	PISTON	1	
007	A15800801	DRIVER PIN	1	
008	A15800901	UPPER BUMPER	1	
009	A15801001	DRIVER	1	
010	A15800601	GLIDE RING	2	
011	A15801101	CYLINDER	1	
012	A15805001	SEAL	1	
013	A15801201	LOWER BUMPER	1	
014	A15801301	CAGE	1	
015	A15801401	CYLINDER RING	1	
016	A15801501	BOTTOM WASHER	1	
017	A15804901A	BODY SET UNIT	1	
018	A15900101	DRIVER GUIDE	1	
019	A15801601	DRIVER GUIDE COVER B	1	
020	A15900201	DRIVER GUIDE COVER A	1	
021	A15900701	VALVE CAGE	1	
022	A15900301	SAFETY A	1	
023	A15900401	SAFETY B	1	
024	A15900501	SAFETY C	1	
025	A15900601	SPRING	1	
026	A15900801	VALVE	1	
027	A15900901	PLATE	1	
028	A15802501	SPRING	1	
029	A15802601	ROLLER	1	
030	A15802701	BLACKET	1	
031	A15802801	SHAFT	1	
032	A15802201	MAGAZINE	1	
033	A15804101	BLOCK A	1	
034	A15802401	BLOCK	1	
035	A15804301	BLOCK C	1	
036	A15804401	BLOCK D	1	
037	A15803701	SPRING	1	

ITEM	PARTS NO.	DESCRIPTION	Q'TY	SPEC.
038	A15803901	TUBE	1	
039	A15803801	SHAFT	1	
040	A15804001	COVER	1	
041	A15803501A	COVER C UNIT	1	
042	A15803601	SPRING	1	
043	A15803301A	COVER B UNIT	1	
044	A15803001A	COVER A UNIT	1	
045	A15802901	PUSHER	1	
046	A00106001	WASHER	1	
047	A00105802	COVER	1	1/4"-18NPT
048	A15802101	NUT	1	
049	A15802001	VALVE	1	
050	A15802301	SPRING	1	
051	A15801901	VALVE CAGE	1	
052	A15901001A	HANDLE UNIT	1	
053	A08603402	TRIGGER	1	
054	A15901801	BLOCK	1	
055	A00100802	AIR PLUG	1	U.S.A. TYPE
056	A15901301	COVER	1	
057	A00300301	HANDLE GLEEVE	1	
058	A15902101	HOOK	1	
501	BAB015250	O-RING	2	ψ1.5*ψ25
502	BAB030436	O-RING	1	ψ3*ψ43.68
503	BAB030420	O-RING	1	ψ3*ψ42
504	BAB020520	O-RING	1	ψ2*ψ52
505	BAB020400	O-RING	1	ψ2*ψ40
506	BAB025550	O-RING	2	ψ2.5*ψ55
507	BAC0405252	HEX.SOC.HD.BOLT	5	M5x0.8-25
508	BAC0406252	HEX.SOC.HD.BOLT	4	M6x1-25
509	BAA030032	SPRING PIN	1	ψ3*32
510	BAC0405302	HEX.SOC.HD.BOLT	5	M5x0.8-30
511	BAC0203102	HEX.SOC.FLAT COUNTER SUNK HD. SCREW	2	M3x0.5-10
512	BAI1211	PU PLUG	3	90° M5, ψ6
513	BAB017052	O-RING	1	ψ1.78*ψ5.28
514	BAA030016	SPRING PIN	1	ψ3*16
515	BAC0604102	HEX.SOC.HD.BOLT	3	M4x0.7-10

ITEM	PARTS NO.	DESCRIPTION	Q'TY	SPEC.
516	BAC0405102	HEX.SOC.HD.BOLT	1	M5x0.8-10
517	BAC0406102	HEX.SOC.HD.BOLT	3	M6x1-10
518	BAC0204102	HEX.SOC.FLAT COUNTER SUNK HD. SCREW	4	M4x0.7-10
519	BAI1401	SILENCER	1	
520	BAI0701	PU PLUG	1	1/4"*ψ8;90°
521	BAB012021	O-RING	2	ψ1.26*ψ2.1
522	BAB015175	O-RING	1	ψ1.5*ψ17.5
523	BAB017124	O-RING	1	ψ1.78*ψ12.42
524	BAI0710	PU PLUG	1	1/4"*ψ8
525	BAA030026	SPRING PIN	1	ψ3-26
526	A15902001	VALVE	1	M5, ψ5
528	BAI1207	AIR PLUG	1	90° 1/8", ψ6
529	BAI0823	WIND PIPE	1	ψ6*6.5cm
530	BAI0824	WIND PIPE	1	ψ8*85cm
531	BAI0825	WIND PIPE	1	ψ6*75cm
532	BAC0204402	HEX.SOC.HD.BOLT	2	M4x0.7-40
533	BAD01041	LOCK NUT	2	M4x0.7